

# SE540FP4

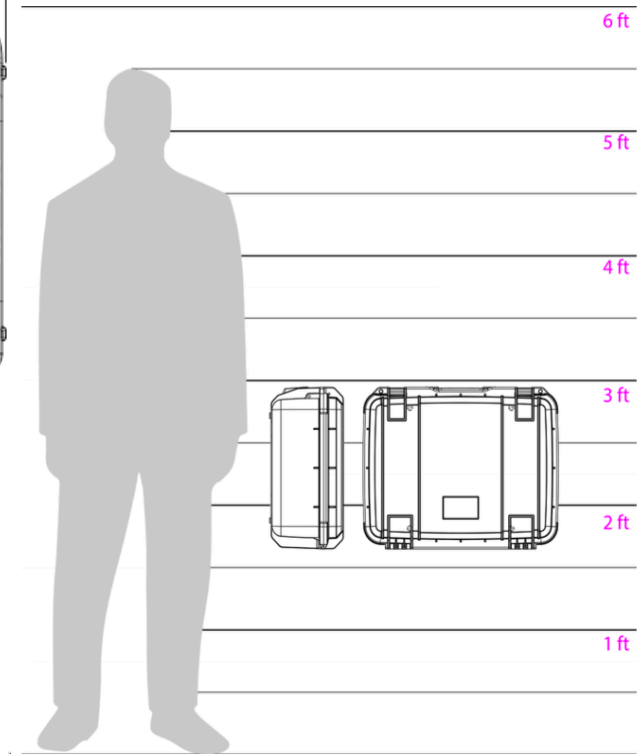
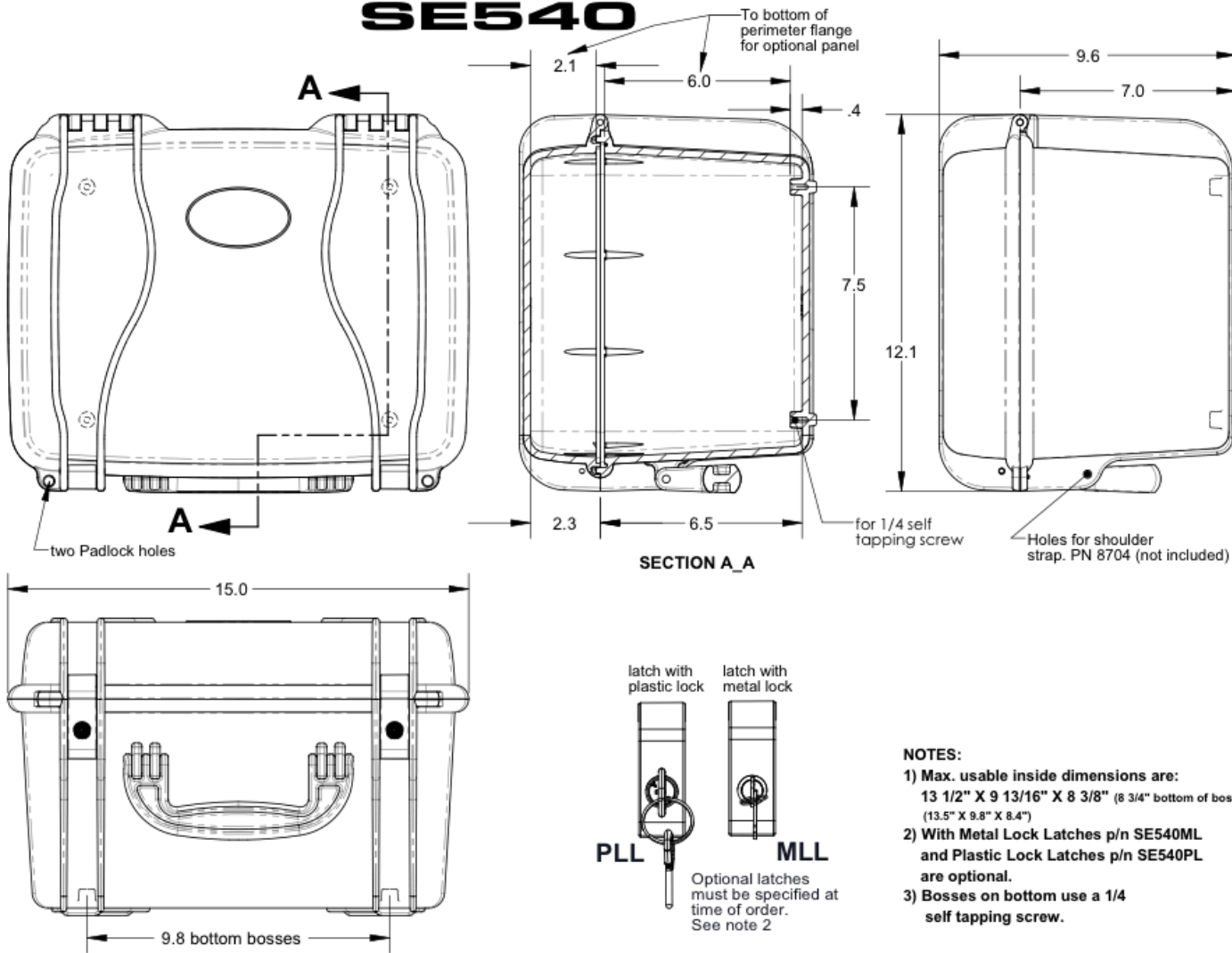
# HARDERBACK

Maletas Industriales | Maletines Militares  
Estuches de Protección | Cajas Polipropileno  
Mochilas Resistentes | Cajas Biometricas



[ Draw ]

## SE540



### NOTES:

- 1) Max. usable inside dimensions are:  
13 1/2" X 9 13/16" X 8 3/8" (8 3/4" bottom of boss)  
(13.5" X 9.8" X 8.4")
- 2) With Metal Lock Latches p/n SE540ML and Plastic Lock Latches p/n SE540PL are optional.
- 3) Bosses on bottom use a 1/4 self tapping screw.